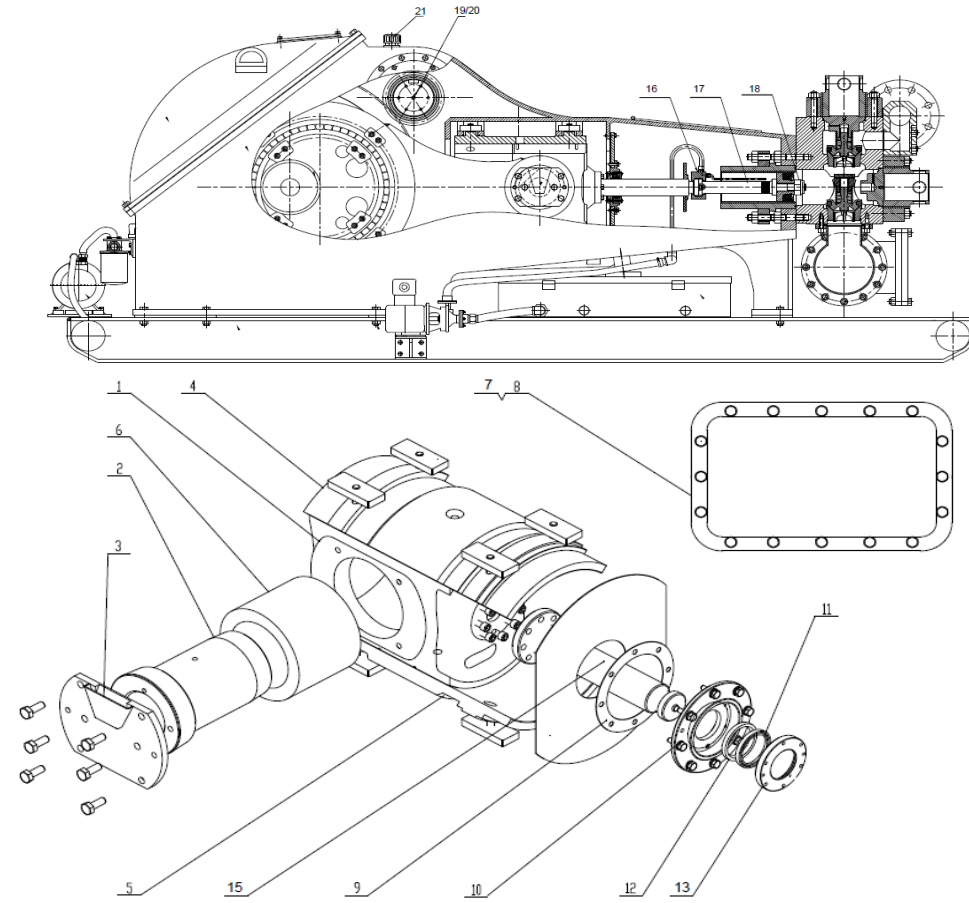
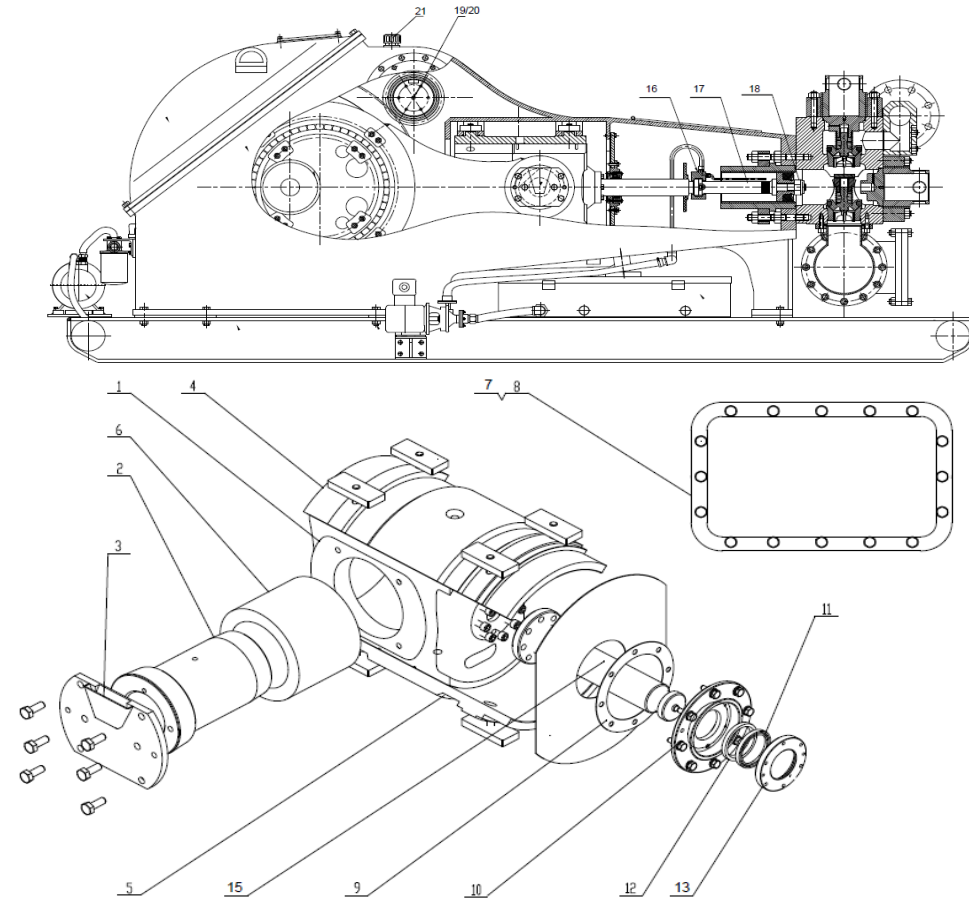


# MUD PUMP - POWER END CRITICAL SPARES - QUICK REFERENCE



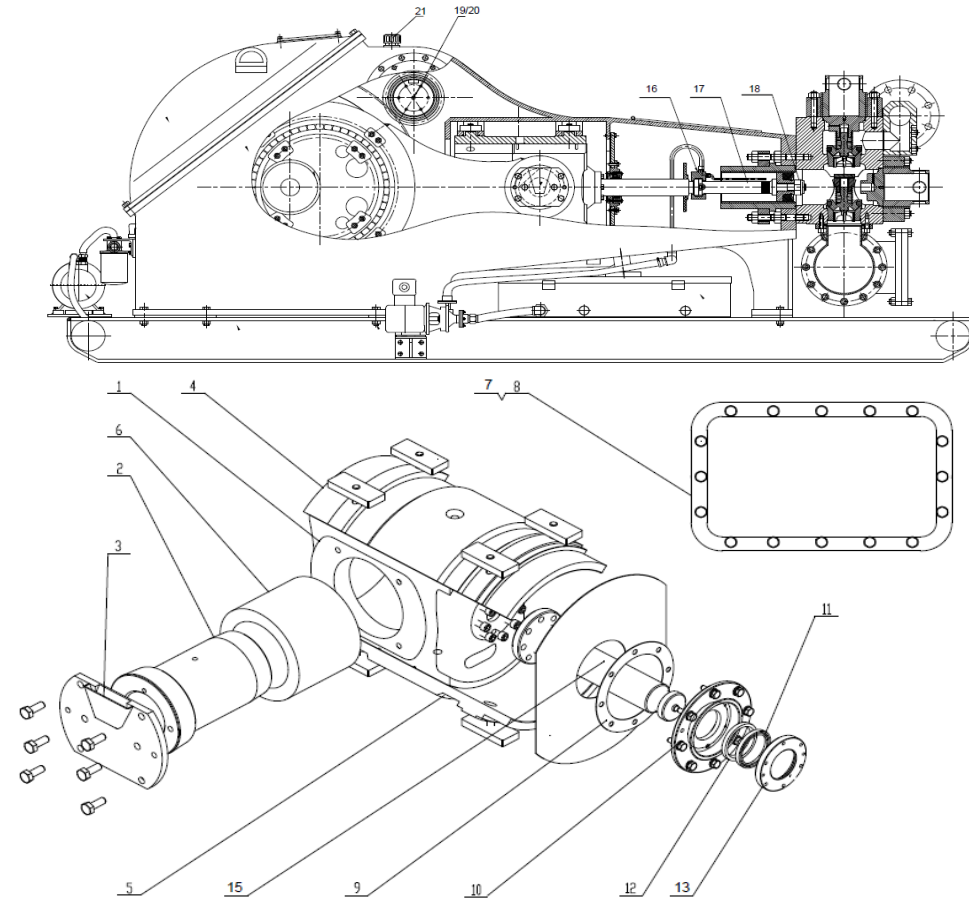
Manufacturer	Model	Item Location	OEM Part Number	Description	Qty/Pump
Gardner Denver	PZ -9 (PZJ)	1	200PZJ005	Crosshead (Bare)	3
Gardner Denver	PZ -9 (PZJ)	2	PZ189	Crosshead Pin	3
Gardner Denver	PZ -9 (PZJ)	3	201PZJ168	Crosshead Retainer	3
Gardner Denver	PZ -9 (PZJ)	4	PZ222	Crosshead Slide - Upper	3
Gardner Denver	PZ -9 (PZJ)	5	PZ222	Crosshead Slide - Lower	3
Gardner Denver	PZ -9 (PZJ)	6	12AM3	Crosshead Bearing	3
Gardner Denver	PZ -9 (PZJ)	7	1PZ723	Crosshead Inspection Cover	2
Gardner Denver	PZ -9 (PZJ)	8	PZ715	Crosshead Inspection Cover - Gasket	2
Gardner Denver	PZ -9 (PZJ)	9	25C2693	Pony Rod Oil Stop Head - Gasket	2
Gardner Denver	PZ -9 (PZJ)	10	1PV1398	Pony Rod Seal Housing (OEM)	3
Gardner Denver	PZ -9 (PZJ)	11	2011872	Pony Rod Seal - Front (OEM)	3
Gardner Denver	PZ -9 (PZJ)	12	2011872	Pony Rod Seal - Rear (OEM)	3
Gardner Denver	PZ -9 (PZJ)	13	PRSK-789	Upgraded 3PC Pony Rod Seal Housing	3
Gardner Denver	PZ -9 (PZJ)	14	PRSK-789K	Upgraded 3PC Pony Rod Seal Kit	3
Gardner Denver	PZ -9 (PZJ)	15	PZ183	Pony /Extension Rod	3
Gardner Denver	PZ -9 (PZJ)	16	200PZJ092	Pony Rod Clamp	3
Gardner Denver	PZ -9 (PZJ)	17	1PZ183	Piston Rod	3
Gardner Denver	PZ -9 (PZJ)	18	50AW35	Piston Rod Nut	3
Gardner Denver	PZ -9 (PZJ)	19	60G242	Pinion Shaft Seal	2
Gardner Denver	PZ -9 (PZJ)	20	25C2692	Pinion Seal Housing - Gasket	2
Gardner Denver	PZ -9 (PZJ)	21	5C24	Oil Breather	1

# MUD PUMP - POWER END CRITICAL SPARES - QUICK REFERENCE



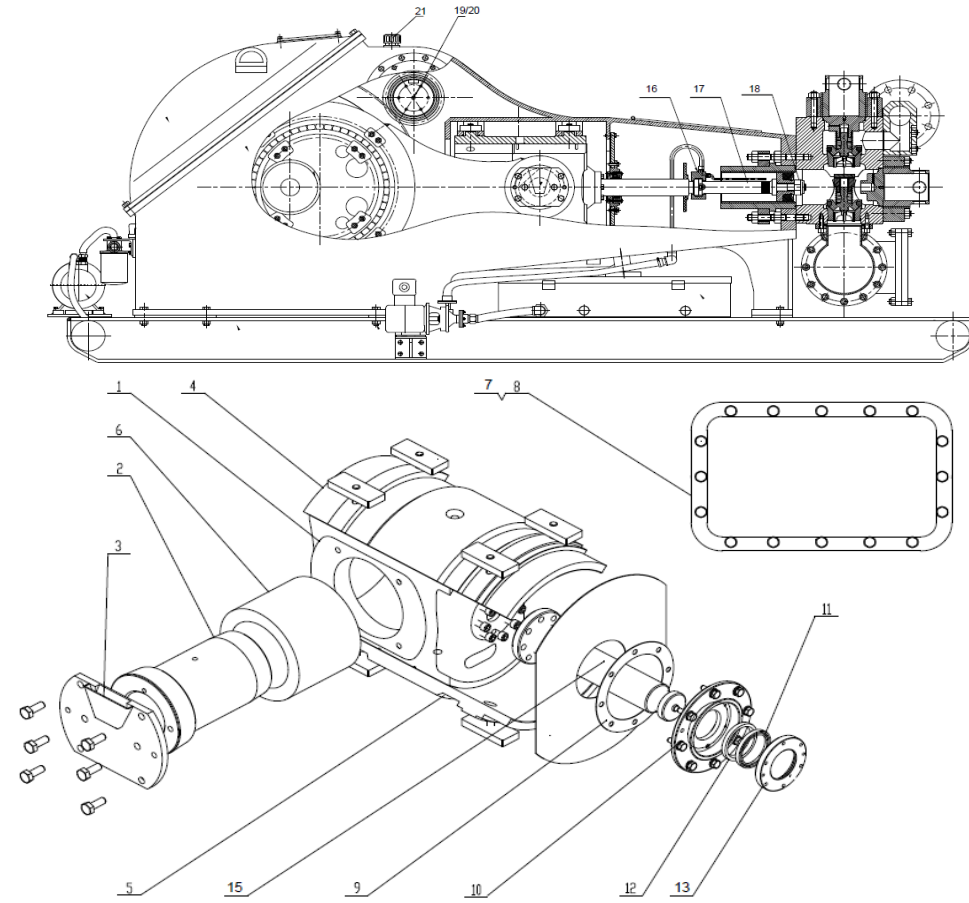
Manufacturer	Model	Item Location	OEM Part Number	Description	Qty/Pump
Gardner Denver	PZ -10 (PZK)	1	200PZL005	Crosshead (Bare)	3
Gardner Denver	PZ -10 (PZK)	2	200PZL189	Crosshead Pin	3
Gardner Denver	PZ -10 (PZK)	3	206PZL168	Crosshead Retainer	3
Gardner Denver	PZ -10 (PZK)	4	200PZL309	Crosshead Slide - Upper	3
Gardner Denver	PZ -10 (PZK)	5	200PZL309	Crosshead Slide - Lower	3
Gardner Denver	PZ -10 (PZK)	6	12BA5	Crosshead Bearing	3
Gardner Denver	PZ -10 (PZK)	7	200PZL715	Crosshead Inspection Cover	2
Gardner Denver	PZ -10 (PZK)	8	200PZK052	Crosshead Inspection Cover - Gasket	2
Gardner Denver	PZ -10 (PZK)	9	25BC13	Pony Rod Oil Stop Head - Gasket	2
Gardner Denver	PZ -10 (PZK)	10	1PV1398	Pony Rod Seal Housing (OEM)	3
Gardner Denver	PZ -10 (PZK)	11	2011872	Pony Rod Seal - Front (OEM)	3
Gardner Denver	PZ -10 (PZK)	12	2011872	Pony Rod Seal - Rear (OEM)	3
Gardner Denver	PZ -10 (PZK)	13	PRSK-789	Upgraded 3PC Pony Rod Seal Housing	3
Gardner Denver	PZ -10 (PZK)	14	PRSK-789K	Upgraded 3PC Pony Rod Seal Kit	3
Gardner Denver	PZ -10 (PZK)	15	200PZL839	Pony /Extension Rod	3
Gardner Denver	PZ -10 (PZK)	16	200PZL4065	Pony Rod Clamp	3
Gardner Denver	PZ -10 (PZK)	17	200PZL060	Piston Rod	3
Gardner Denver	PZ -10 (PZK)	18	50V14	Piston Rod Nut	3
Gardner Denver	PZ -10 (PZK)	19	60DD13	Pinion Shaft Seal	2
Gardner Denver	PZ -10 (PZK)	20	25BC12	Pinion Seal Housing - Gasket	2
Gardner Denver	PZ -10 (PZK)	21	5C24	Oil Breather	1

# MUD PUMP - POWER END CRITICAL SPARES - QUICK REFERENCE



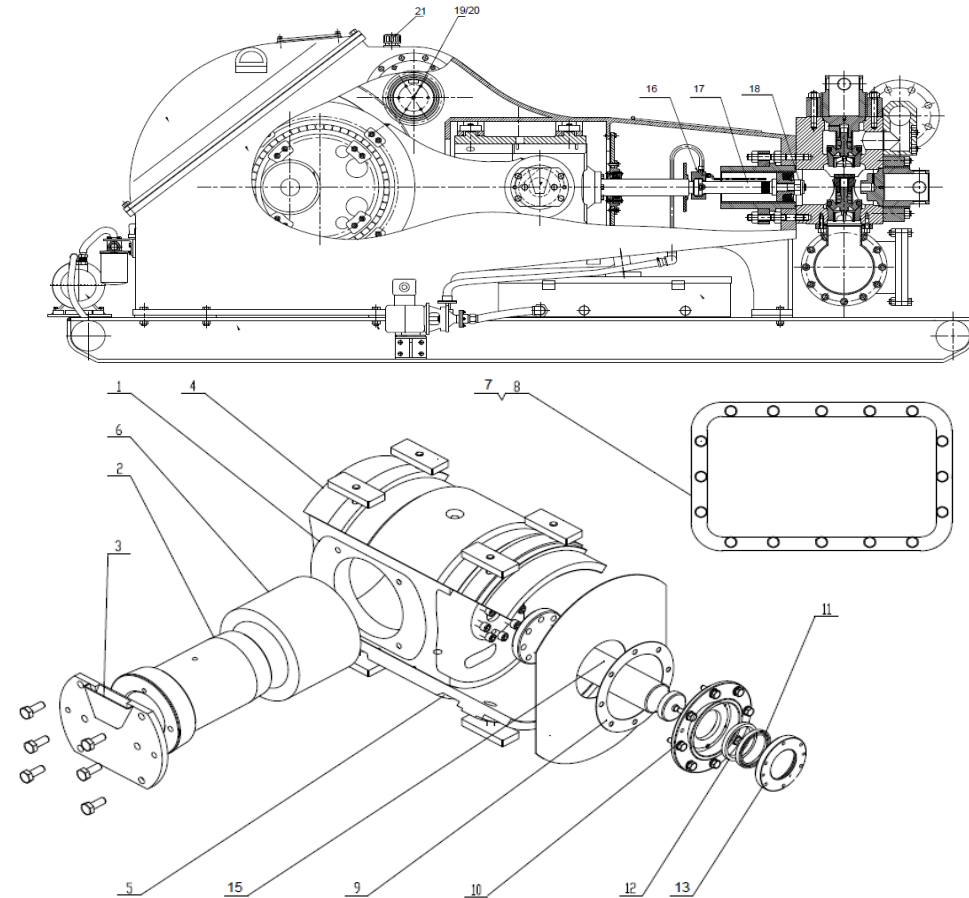
Manufacturer	Model	Item Location	OEM Part Number	Description	Qty/Pump
Gardner Denver	PZ -11 (PZL)	1	200PZL005	Crosshead (Bare)	3
Gardner Denver	PZ -11 (PZL)	2	200PZL189	Crosshead Pin	3
Gardner Denver	PZ -11 (PZL)	3	206PZL168	Crosshead Retainer	3
Gardner Denver	PZ -11 (PZL)	4	200PZL309	Crosshead Slide - Upper	3
Gardner Denver	PZ -11 (PZL)	5	200PZL309	Crosshead Slide - Lower	3
Gardner Denver	PZ -11 (PZL)	6	12BA5	Crosshead Bearing	3
Gardner Denver	PZ -11 (PZL)	7	200PZL715	Crosshead Inspection Cover	2
Gardner Denver	PZ -11 (PZL)	8	200PZL052	Crosshead Inspection Cover - Gasket	2
Gardner Denver	PZ -11 (PZL)	9	25BC13	Pony Rod Oil Stop Head - Gasket	2
Gardner Denver	PZ -11 (PZL)	10	301PZL362	Pony Rod Seal Housing (OEM)	3
Gardner Denver	PZ -11 (PZL)	11	2011872	Pony Rod Seal - Front (OEM)	3
Gardner Denver	PZ -11 (PZL)	12	2011872	Pony Rod Seal - Rear (OEM)	3
Gardner Denver	PZ -11 (PZL)	13	PRSK-789	Upgraded 3PC Pony Rod Seal Housing	3
Gardner Denver	PZ -11 (PZL)	14	PRSK-789K	Upgraded 3PC Pony Rod Seal Kit	3
Gardner Denver	PZ -11 (PZL)	15	302PZL839	Pony /Extension Rod	3
Gardner Denver	PZ -11 (PZL)	16	201PZL092	Pony Rod Clamp	3
Gardner Denver	PZ -11 (PZL)	17	200PZL060	Piston Rod	3
Gardner Denver	PZ -11 (PZL)	18	50V14	Piston Rod Nut	3
Gardner Denver	PZ -11 (PZL)	19	60DD13	Pinion Shaft Seal	2
Gardner Denver	PZ -11 (PZL)	20	25BC12	Pinion Seal Housing - Gasket	2
Gardner Denver	PZ -11 (PZL)	21	5C24	Oil Breather	1

# MUD PUMP - POWER END CRITICAL SPARES - QUICK REFERENCE



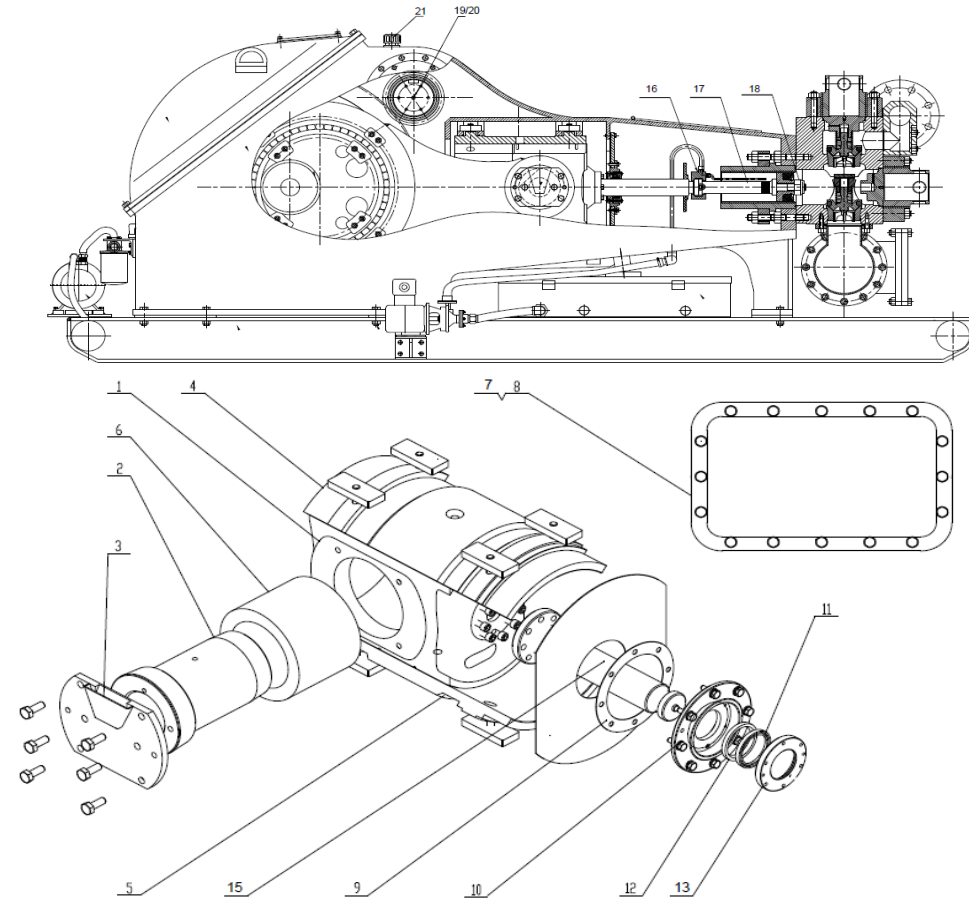
Manufacturer	Model	Item Location	OEM Part Number	Description	Qty/Pump
HH/BOMCO	HHF/F-1600	1	11-3161-0401	Crosshead (Bare)	3
HH/BOMCO	HHF/F-1600	2	11-3161-0413	Crosshead Pin	3
HH/BOMCO	HHF/F-1600	3	N/A	Crosshead Retainer	3
HH/BOMCO	HHF/F-1600	4	11-3161-0402	Crosshead Slide - Upper	3
HH/BOMCO	HHF/F-1600	5	11-3161-0415	Crosshead Slide - Lower	3
HH/BOMCO	HHF/F-1600	6	11-3161-0417	Crosshead Bearing	3
HH/BOMCO	HHF/F-1600	7	11-3161-INPC	Crosshead Inspection Cover	2
HH/BOMCO	HHF/F-1600	8	11-3161-INPG	Crosshead Inspection Cover - Gasket	2
HH/BOMCO	HHF/F-1600	9	11-3161-0408	Pony Rod Oil Stop Head - Gasket	2
HH/BOMCO	HHF/F-1600	10	11-3161-0405	Pony Rod Seal Housing (OEM)	3
HH/BOMCO	HHF/F-1600	11	11-3161-0407	Pony Rod Seal - Front (OEM)	3
HH/BOMCO	HHF/F-1600	12	11-3161-0406	Pony Rod Seal - Rear (OEM)	3
HH/BOMCO	HHF/F-1600	13	N/A	Upgraded 3PC Pony Rod Seal Housing	3
HH/BOMCO	HHF/F-1600	14	N/A	Upgraded 3PC Pony Rod Seal Kit	3
HH/BOMCO	HHF/F-1600	15	11-3161-0412	Pony /Extension Rod	3
HH/BOMCO	HHF/F-1600	16	TMFB6-03-08	Pony Rod Clamp	3
HH/BOMCO	HHF/F-1600	17	11-3161-0518	Piston Rod	3
HH/BOMCO	HHF/F-1600	18	11-3161-0532-00	Piston Rod Nut	3
HH/BOMCO	HHF/F-1600	19	11-3161-0311	Pinion Shaft Seal	2
HH/BOMCO	HHF/F-1600	20	11-3161-0306	Pinion Seal Housing - Gasket	2
HH/BOMCO	HHF/F-1600	21	FB120-24	Oil Breather	1

# MUD PUMP - POWER END CRITICAL SPARES - QUICK REFERENCE



Manufacturer	Model	Item Location	OEM Part Number	Description	Qty/Pump
HH/BOMCO	HHF/F-1300	1	11-3161-0401	Crosshead (Bare)	3
HH/BOMCO	HHF/F-1300	2	11-3161-0413	Crosshead Pin	3
HH/BOMCO	HHF/F-1300	3	N/A	Crosshead Retainer	
HH/BOMCO	HHF/F-1300	4	11-3161-0402	Crosshead Slide - Upper	3
HH/BOMCO	HHF/F-1300	5	11-3161-0415	Crosshead Slide - Lower	3
HH/BOMCO	HHF/F-1300	6	11-3161-0417	Crosshead Bearing	3
HH/BOMCO	HHF/F-1300	7	11-3161-INPC	Crosshead Inspection Cover	2
HH/BOMCO	HHF/F-1300	8	11-3161-INPG	Crosshead Inspection Cover - Gasket	2
HH/BOMCO	HHF/F-1300	9	11-3161-0408	Pony Rod Oil Stop Head - Gasket	2
HH/BOMCO	HHF/F-1300	10	11-3161-0405	Pony Rod Seal Housing (OEM)	3
HH/BOMCO	HHF/F-1300	11	11-3161-0407	Pony Rod Seal - Front (OEM)	3
HH/BOMCO	HHF/F-1300	12	11-3161-0406	Pony Rod Seal - Rear (OEM)	3
HH/BOMCO	HHF/F-1300	13	N/A	Upgraded 3PC Pony Rod Seal Housing	
HH/BOMCO	HHF/F-1300	14	N/A	Upgraded 3PC Pony Rod Seal Kit	
HH/BOMCO	HHF/F-1300	15	11-3161-0412	Pony /Extension Rod	3
HH/BOMCO	HHF/F-1300	16	TMFB6-03-08	Pony Rod Clamp	3
HH/BOMCO	HHF/F-1300	17	11-3161-0518	Piston Rod	3
HH/BOMCO	HHF/F-1300	18	11-3161-0532-00	Piston Rod Nut	3
HH/BOMCO	HHF/F-1300	19	11-3161-0311	Pinion Shaft Seal	2
HH/BOMCO	HHF/F-1300	20	11-3161-0306	Pinion Seal Housing - Gasket	2
HH/BOMCO	HHF/F-1300	21	FB120-24	Oil Breather	1

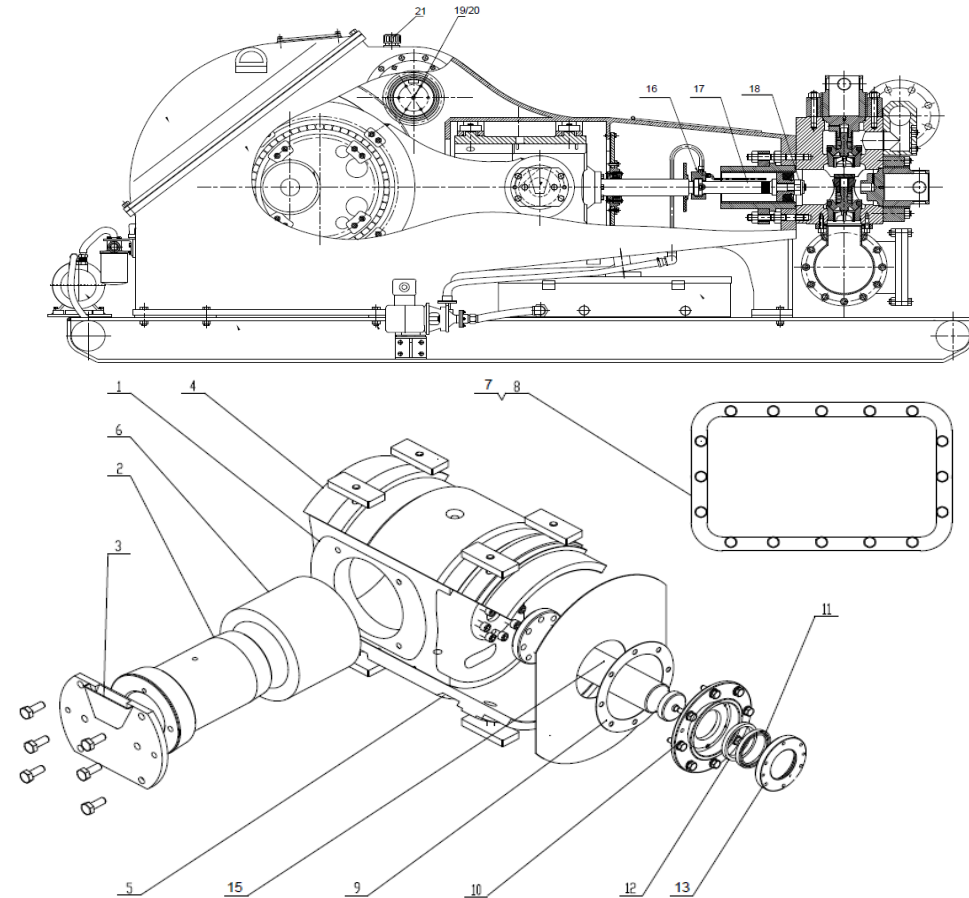
# MUD PUMP - POWER END CRITICAL SPARES - QUICK REFERENCE



Manufacturer	Model	Item Location	OEM Part Number	Description	Qty/Pump
TSC Workforce	WF1300B/BH	1	030401-403-0100A1	Crosshead (Bare)	3
TSC Workforce	WF1300B/BH	2	030401-303-1200A	Crosshead Pin	3
TSC Workforce	WF1300B/BH	3	030401-203-1100A	Crosshead Retainer	3
TSC Workforce	WF1300B/BH	4	030401-403-0200A	Crosshead Slide - Upper	3
TSC Workforce	WF1300B/BH	5	030401-403-0200A	Crosshead Slide - Lower	3
TSC Workforce	WF1300B/BH	6	BR2-159-162-0232	Crosshead Bearing	3
TSC Workforce	WF1300B/BH	7	030404-403-0900A	Crosshead Inspection Cover	2
TSC Workforce	WF1300B/BH	8	030404-703-1000A	Crosshead Inspection Cover - Gasket	2
TSC Workforce	WF1300B/BH	9	030401-703-0400A	Pony Rod Oil Stop Head - Gasket	2
TSC Workforce	WF1300B/BH	10	030401-103-0600A	Pony Rod Seal Housing (OEM)	3
TSC Workforce	WF1300B/BH	11	TS-2011872	Pony Rod Seal - Front (OEM)	3
TSC Workforce	WF1300B/BH	12	TS-2011872	Pony Rod Seal - Rear (OEM)	3
TSC Workforce	WF1300B/BH	13	PRSK-789	Upgraded 3PC Pony Rod Seal Housing	3
TSC Workforce	WF1300B/BH	14	PRSK-789K	Upgraded 3PC Pony Rod Seal Kit	3
TSC Workforce	WF1300B/BH	15	TMPZ11-01-06	Pony /Extension Rod	3
TSC Workforce	WF1300B/BH	16	TMPZ11-03-08	Pony Rod Clamp	3
TSC Workforce	WF1300B/BH	17	TM-200	Piston Rod	3
TSC Workforce	WF1300B/BH	18	TM-NUT	Piston Rod Nut	3
TSC Workforce	WF1300B/BH	19	SE01-0220-0250-15	Pinion Shaft Seal	2
TSC Workforce	WF1300B/BH	20	030401-304-0800A	Pinion Seal Housing - Gasket	2
TSC Workforce	WF1300B/BH	21	603-1200-1500-00	Oil Breather	1



# MUD PUMP - POWER END CRITICAL SPARES - QUICK REFERENCE



Manufacturer	Model	Item Location	OEM Part Number	Description	Qty/Pump
TSC Workforce	WF1500B/BH	1	030404-403-0100A1	Crosshead (Bare)	3
TSC Workforce	WF1500B/BH	2	030404-303-1200A	Crosshead Pin	3
TSC Workforce	WF1500B/BH	3	030404-203-1100A	Crosshead Retainer	3
TSC Workforce	WF1500B/BH	4	030401-403-0200A	Crosshead Slide - Upper	3
TSC Workforce	WF1500B/BH	5	030401-403-0200A	Crosshead Slide - Lower	3
TSC Workforce	WF1500B/BH	6	BR2-159-162-0232	Crosshead Bearing	3
TSC Workforce	WF1500B/BH	7	030404-403-0900A	Crosshead Inspection Cover	2
TSC Workforce	WF1500B/BH	8	030404-703-1000A	Crosshead Inspection Cover - Gasket	2
TSC Workforce	WF1500B/BH	9	030401-703-0400A	Pony Rod Oil Stop Head - Gasket	2
TSC Workforce	WF1500B/BH	10	030401-103-0600A	Pony Rod Seal Housing (OEM)	3
TSC Workforce	WF1500B/BH	11	TS-2011872	Pony Rod Seal - Front (OEM)	3
TSC Workforce	WF1500B/BH	12	TS-2011872	Pony Rod Seal - Rear (OEM)	3
TSC Workforce	WF1500B/BH	13	PRSK-789	Upgraded 3PC Pony Rod Seal Housing	3
TSC Workforce	WF1500B/BH	14	PRSK-789K	Upgraded 3PC Pony Rod Seal Kit	3
TSC Workforce	WF1500B/BH	15	TMPZ11-01-06	Pony /Extension Rod	3
TSC Workforce	WF1500B/BH	16	TMPZ11-03-08	Pony Rod Clamp	3
TSC Workforce	WF1500B/BH	17	TM-200	Piston Rod	3
TSC Workforce	WF1500B/BH	18	TM-NUT	Piston Rod Nut	3
TSC Workforce	WF1500B/BH	19	SE01-0220-0250-15	Pinion Shaft Seal	2
TSC Workforce	WF1500B/BH	20	030401-304-0800A	Pinion Seal Housing - Gasket	2
TSC Workforce	WF1500B/BH	21	603-1200-1500-00	Oil Breather	1